

# PE RESILIENT SEAT GATE VALVES



## Design Advantage

- Push in socket joint
- Fully restrained connection
- Full vulcanized ductile iron encapsulated wedge
- Smooth opening and closing operation
- Full bore waterway



## Technical Detail

<b>Range</b>	DN125 and DN180
<b>Pressure</b>	PN10 to PN16 / SDR17 to SDR11
<b>Temperatures</b>	40°C
<b>Applications</b>	Suitable for above and below ground installations, potable water, recycled water, waste water, fire and irrigation applications
<b>Closing</b>	Anti-Clockwise (ACC) / Clockwise Closing (CC)
<b>Options</b>	Handwheel

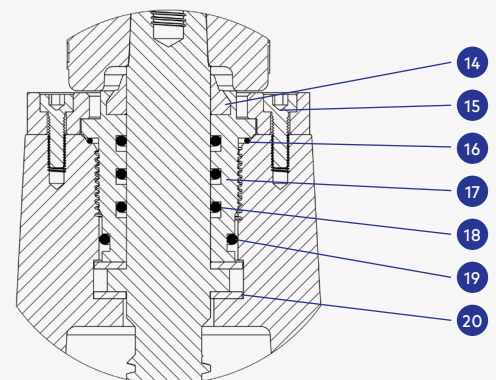
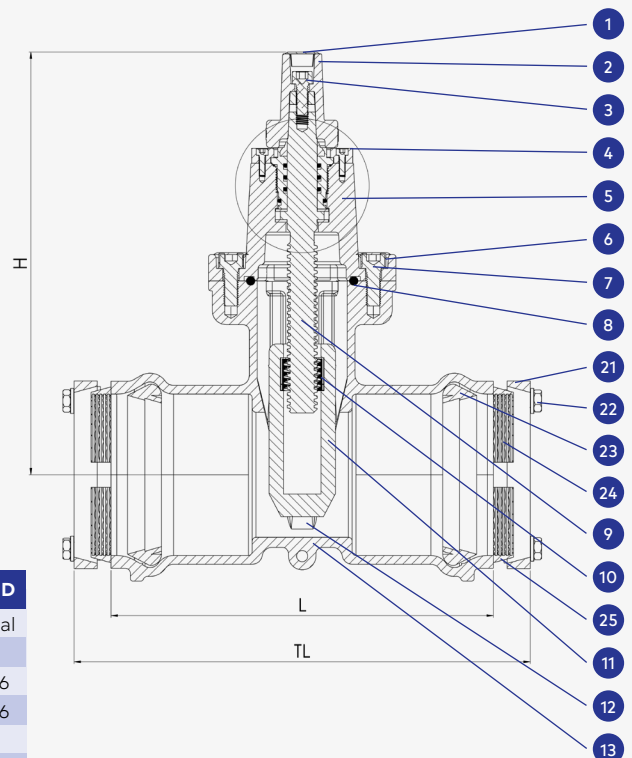
## Compliance

- AS/NZS 2638.2 Licence WM-22535 and OMK22535
- ISO EN 12842 Licence OMK30063
- WSAA PA 1624 / WSAA PA 1517



NO.	PART	MATERIAL	STANDARD
1	Dust Cap	Plastic Nylon 66	Commercial
2	Valve Cap	Ductile Iron 500-7	AS 1831
3	Valve Cap Bolt	Stainless Steel SS316	ASTM A276
4	Gland Flange	Stainless Steel SS316	ASTM A276
5	Bonnet	Ductile Iron 500-7	AS 1831
6	Bonnet Bolt Infill	Hot Melt	
7	Bonnet Bolt	Stainless Steel SS316	ASTM A276
8	Bonnet O-Ring	Rubber EPDM	AS 1646
9	Stem	Stainless Steel SS431	ASTM A276
10	Driving Nut	Copper Alloy C83600	AS 1568
11	Wedge	Ductile Iron 500-7	AS 1831
12	Nylon Guide	Rubber EPDM	AS 1646
13	Body	Engineered Plastic Nylon 66	Commercial
14	Scraper Seal	Ductile Iron 500-7	AS 1831
15	Gland Flange Bolt	Engineered Plastic Nylon 66	Commercial
16	Gland O-Ring A	Ductile Iron 500-7	AS 1831
17	Gland Nut	Rubber EPDM	AS 1646
18	Gland O-Ring B	Copper Alloy C83600	AS 1568
19	Gland O-Ring C	Rubber EPDM	AS 1646
20	Thrust Washer	Rubber NBR	AS 1646
21	End Ring	Engineered Plastic Nylon 66	Commercial
22	End Ring Bolt/Washer	Ductile Iron 500-7	AS 1831
23	Socket Gasket	Stainless Steel, MDS# SS316	ASTM A276
24	Grip Ring	Rubber EPDM	AS 1646
25	Spacer	Copper Alloy C83600	AS 1568
*	Lifting Lugs	Engineered Plastic Polypropylene	Commercial
		Steel Galvanized	Commercial

\* Molybdenum Delta Seal



DETAILS			
DN	L	TL	H
100/125	306	376	325
150/180*	394	477	400



www.daemco.com.au  
1800 323 626  
enquiries@daemco.com.au

Scan QR Code for  
Installation Instructions





www.daemco.com.au



VALVES



COUPLINGS



ACCESSORIES



PE DI FITTINGS



COVERS



BANDS

65 Assembly Drive, Tullamarine VIC 3043  
1800 323 626 | [enquiries@daemco.com.au](mailto:enquiries@daemco.com.au)

Follow us on **LinkedIn**

©Copyright 2018. All Rights Reserved. Daemco Australia reserve the right to change designs and specifications without notice, warranties for suitability for use, liability or loss, damage or costs incurred relating to this information is excluded.