

SOCKET RESILIENT SEAT GATE VALVES

Design Advantage

- Compact and lightweight
- Stem seal replacement whilst under pressure
- Unique gate guide for low torque operating
- Full bore waterway
- Full vulcanized ductile iron encapsulated wedge
- Smooth opening and closing operation



Technical Detail

Range DN100 and DN150

Pressure PN16

Temperatures 40°C

Applications Suitable for above and below ground installations, potable water, recycled water, waste water, fire and irrigation applications

Closing Anti-Clockwise (ACC)/Clockwise Closing (CC)

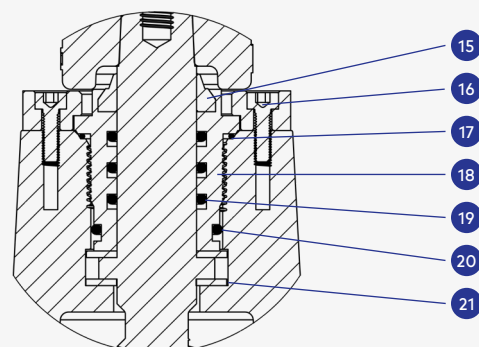
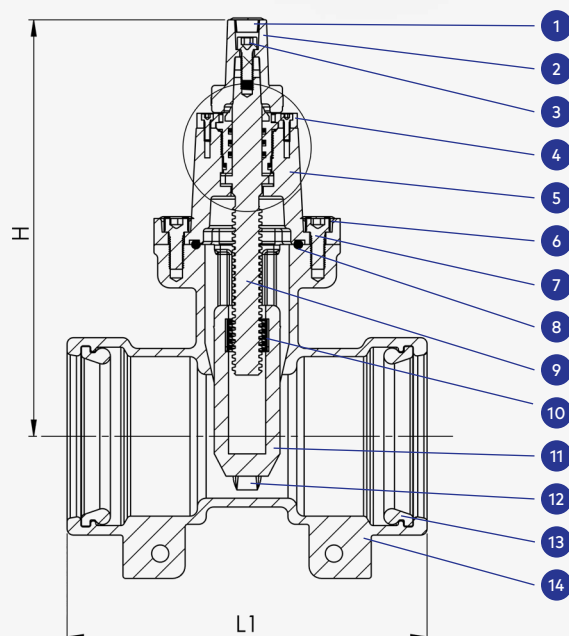
Options Handwheel

Compliance

- AS/NZS 2638.2 Licence WM-22535 and OMK22535
- WSAA PA 1517



NO.	PART	MATERIAL		STANDARD
1	Dust Cap	Plastic	Nylon 66	Commercial
2	Valve Cap	Ductile Iron	500-7	AS 1831
3	Valve Cap Bolt	Stainless Steel	SS316	ASTM A276
4	Gland Flange	Stainless Steel	SS316	ASTM A276
5	Bonnet	Ductile Iron	500-7	AS 1831
6	Bonnet Bolt Infill	Hot Melt		
7	Bonnet Bolt	Stainless Steel	SS316	ASTM A276
8	Bonnet O-Ring	Rubber	EPDM	AS 1646
9	Stem	Stainless Steel	SS431	ASTM A276
10	Driving Nut	Copper Alloy	C83600	AS 1568
11	Wedge	Ductile Iron	500-7	AS 1831
		Rubber	EPDM	AS 1646
12	Nylon Guide	Engineered Plastic	Nylon 66	Commercial
13	Gasket	Rubber	EPDM	AS 1646
14	Body	Ductile Iron	500-7	AS 1831
15	Scraper Seal	Engineered Plastic	Nylon 66	Commercial
16	Gland Flange Bolt	Stainless Steel	SS316	ASTM A276
17	Gland O-Ring A	Rubber	NBR	AS 1646
18	Gland Nut	Copper Alloy	C83600	AS 1568
19	Gland O-Ring B	Rubber	NBR	AS 1646
20	Gland O-Ring C	Rubber	NBR	AS 1646
21	Thrust Washer	Engineered Plastic	Nylon 66	Commercial
*	Lifting Lugs	Steel	Galvanized	Commercial



DETAILS		
DN	H	L1
100	340	290
150	415	330



www.daemco.com.au
1800 323 626
enquiries@daemco.com.au



www.daemco.com.au



VALVES



COUPLINGS



ACCESSORIES



PE DI FITTINGS



COVERS



BANDS

65 Assembly Drive, Tullamarine VIC 3043
1800 323 626 | enquiries@daemco.com.au

Follow us on **LinkedIn**

©Copyright 2018. All Rights Reserved. Daemco Australia reserve the right to change designs and specifications without notice, warranties for suitability for use, liability or loss, damage or costs incurred relating to this information is excluded.