

# SS STRAPS



## Design Advantage

- Highly durable
- Rubber protection
- Provides restraint to Ductile Iron Fittings and Resilient Seat Gate Valves

### Technical Detail

<b>Range</b>	DN100 - DN375
<b>Material</b>	Stainless Steel 316 Rubber
<b>Applications</b>	Used in conjunction with thrust and anchor blocks

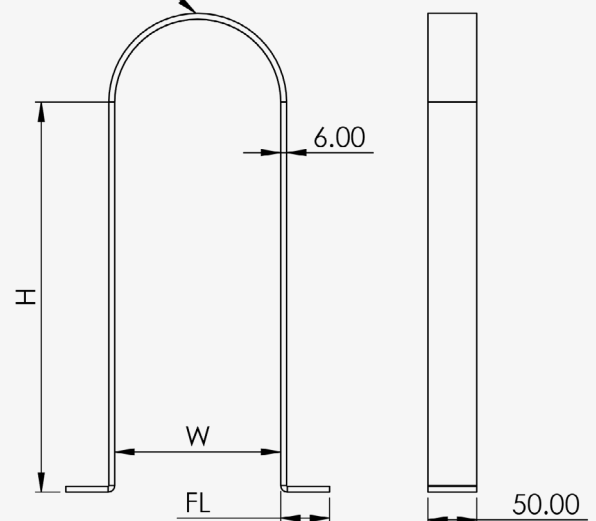


### Compliance

- In accordance with SEQ Water Supply Code

DETAILS				
DN	H (mm)	W (mm)	FL (mm)	MARKING
100	400	170	50	DN100
150	600	220	50	DN150
200	800	285	100	DN200
225	900	320	100	DN225
250	1000	350	100	DN250
300	1200	410	100	DN300
375	1500	500	100	DN375

"DNXXX"  
See Marking  
details in table





www.daemco.com.au



VALVES



COUPLINGS



ACCESSORIES



PE DI FITTINGS



COVERS



BANDS

65 Assembly Drive, Tullamarine VIC 3043  
1800 323 626 | [enquiries@daemco.com.au](mailto:enquiries@daemco.com.au)

Follow us on [LinkedIn](#)

©Copyright 2018. All Rights Reserved. Daemco Australia reserve the right to change designs and specifications without notice, warranties for suitability for use, liability or loss, damage or costs incurred relating to this information is excluded.