

# FLANGE RESILIENT SEAT GATE VALVES

## Design Advantage

- Compact and lightweight
- Stem seal replacement whilst under pressure
- Unique gate guide for low torque operating
- Full bore waterway
- Full vulcanized ductile iron encapsulated wedge
- Smooth opening and closing operation

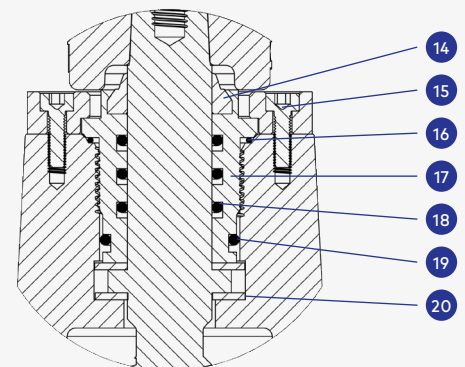
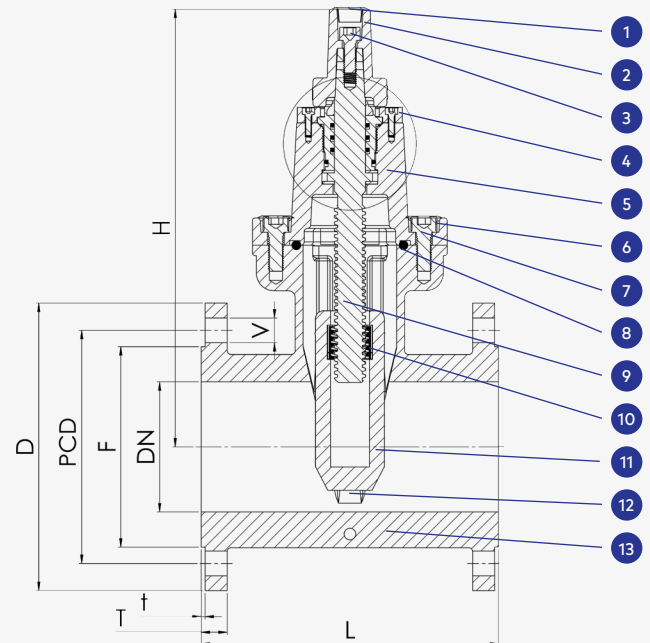


### Technical Detail

<b>Range</b>	DN80 and DN375
<b>Pressure</b>	PN16
<b>Temperatures</b>	40°C
<b>Applications</b>	Suitable for above and below ground installations, potable water, recycled water, waste water, fire and irrigation applications
<b>Closing</b>	Anti-Clockwise (ACC) / Clockwise Closing (CC)
<b>Options</b>	Handwheel

### Compliance

- AS/NZS 2638.2 Licence WM-22535 and OMK22535
- WSAA PA 1517



NO.	PART	MATERIAL	STANDARD
1	Dust Cap	Plastic	Nylon 66 Commercial
2	Valve Cap	Ductile Iron	500-7 AS 1831
3	Valve Cap Bolt	Stainless Steel	SS316 ASTM A276
4	Gland Flange	Stainless Steel	SS316 ASTM A276
5	Bonnet	Ductile Iron	500-7 AS 1831
6	Bonnet Bolt Infill	Hot Melt	
7	Bonnet Bolt	Stainless Steel	SS316 ASTM A276
8	Bonnet O-Ring	Rubber	EPDM AS 1646
9	Stem	Stainless Steel	SS431 ASTM A276
10	Driving Nut	Copper Alloy	C83600 AS 1568
11	Wedge	Ductile Iron	500-7 AS 1831
12	Nylon Guide	Engineered Plastic	Nylon 66 Commercial
13	Body	Ductile Iron	500-7 AS 1831
14	Scraper Seal	Engineered Plastic	Nylon 66 Commercial
15	Gland Flange Bolt	Stainless Steel	SS316 ASTM A276
16	Gland O-Ring A	Rubber	NBR AS 1646
17	Gland Nut	Copper Alloy	C83600 AS 1568
18	Gland O-Ring B	Rubber	NBR AS 1646
19	Gland O-Ring C	Rubber	NBR AS 1646
20	Thrust Washer	Engineered Plastic	Nylon 66 Commercial
*	Lifting Lugs	Steel	Galvanized Commercial

FLANGE RESILIENT SEAT GATE VALVE DIMENSIONS									
DN	L	H	FLANGE DETAIL						
			D	PCD	t	F	T	n	V
50	178	276	165	114	4	90	17	4	18
80	203	290	185	146	3	122	18	4	18
100	229	325	215	178	3	154	20	4	18
150*	267	400	280	235	3	211	23	8	18
200*	292	558	335	292	3	268	23	8	18
225*	305	570	370	324	3	300	24	8	18
250*	330	664	405	356	3	328	24	8	22
300*	356	730	455	406	4	378	30	12	22
375*	381	890	550	495	4	463	33	12	26



www.daemco.com.au  
+61 3 9863 6838  
enquiries@daemco.com.au



www.daemco.com.au



VALVES



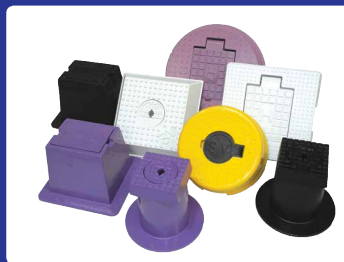
COUPLINGS



ACCESSORIES



PE DI FITTINGS



COVERS



BANDS

Head Office: Ground Floor. 215 Bell Street, Preston VIC 3072

Phone: +61 3 9863 6838 | Email: [enquiries@daemco.com.au](mailto:enquiries@daemco.com.au)

Follow us on **LinkedIn**

©Copyright 2018. All Rights Reserved. Daemco Australia reserve the right to change designs and specifications without notice, warranties for suitability for use, liability or loss, damage or costs incurred relating to this information is excluded.