

RESILIENT SEAT GATE VALVE HANDWHEELS



Design Advantage

- Highly durable
- Quick and easy to install
- Ergonomic design

Technical Detail

Range	DN50 to DN375
Material	Ductile Iron/FBE Coated
Applications	Suitable for use with Resilient Seat Gate Valves
Closing	Anti-Clockwise (ACC)/Clockwise Closing (CC)

Compliance

- AS/NZS 2638.2

DETAILS			
MARKING	SIZE	OD (mm)	WEIGHT (KG)
DN50 - DN80	DN50, DN80	225	3.0
DN100/150 DN125/180	DN100, DN125, DN150, DN180	285	3.7
DN200	DN200	360	5.5
DN225 - DN375	DN225, DN250, DN300, DN375	500	8.8
DN375	DN375	640	11.3



DN375



DN225
DN250
DN300
DN375



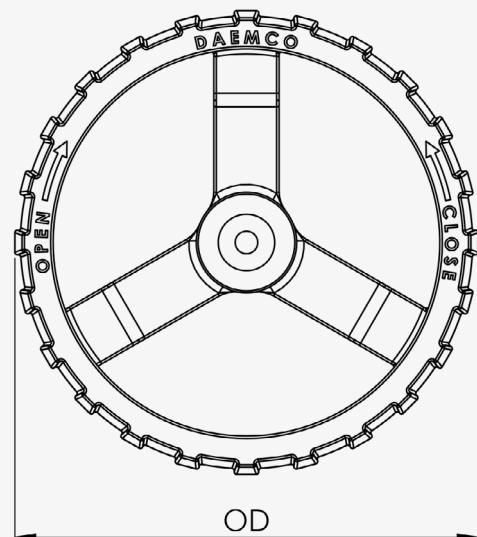
DN200



DN100
DN125
DN150
DN180



DN50
DN80





www.daemco.com.au



VALVES



COUPLINGS



ACCESSORIES



PE DI FITTINGS



COVERS



BANDS

65 Assembly Drive, Tullamarine VIC 3043
1800 323 626 | enquiries@daemco.com.au

Follow us on **LinkedIn**

©Copyright 2018. All Rights Reserved. Daemco Australia reserve the right to change designs and specifications without notice, warranties for suitability for use, liability or loss, damage or costs incurred relating to this information is excluded.