

# UNRESTRAINED MECHANICAL COUPLINGS



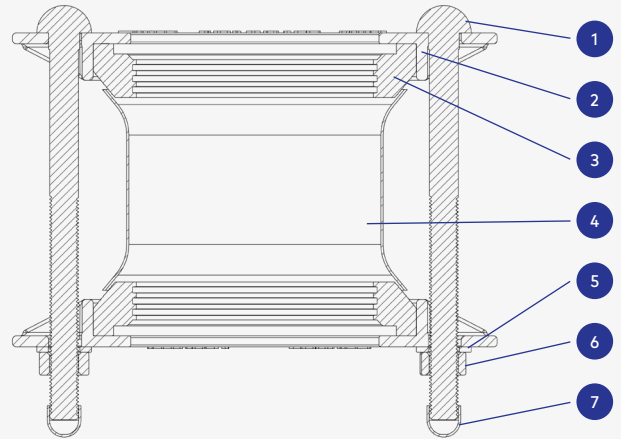
## Design Advantage

- Quick and easy to install
- Disassembly not required
- Wide range to suit all pipe diameters
- Ultimate corrosion protection
- Pre-lubricated gaskets



### Technical Detail

Range	DN80 to DN600
Pressure	PN16
Temperatures	40°C
Applications	Suitable for potable water and wastewater. For connecting equal or unequal pipe diameters.
Options	NBR Gaskets



### Compliance

- Product Certification OMK30051
- WSAA PA 1518



NO.	PART	MATERIAL		STANDARD
1	Bolts	Stainless Steel	316	ASTM F593
2	End Rings	Ductile Iron FBE Coated	400-15	AS 1831
3	Gaskets	Rubber	EPDM	AS 1646
4	Barrel	Stainless Steel	316L	ASTM A240M
5	Washers	Stainless Steel	316	ASTM F844
6	Nuts	Stainless Steel, Delta Seal	316	ASTM F594
7	Bolt Caps	Plastic		

SHORT SERIES								
NOMINAL DIAMETER	RANGE		BOLT			PN	MAX ANGULAR DEFLECTION PER SIDE	BARREL LENGTH
	MIN	MAX	L	SIZE	QTY			
DN80	88	102	200	M16	3	16	3/3	110
DN100	109	133	200	M16	3	16	3/3	110
DN150	158	182	200	M16	3	16	3/3	110

LONG SERIES								
NOMINAL DIAMETER	RANGE		BOLT			PN	MAX ANGULAR DEFLECTION PER SIDE	BARREL LENGTH
	MIN	MAX	L	SIZE	QTY			
DN80	88	102	270	M16	3	16	3/3	178
DN100	109	133	270	M16	3	16	3/3	178
DN150	158	182	270	M16	3	16	3/3	178
DN200	214	238	290	M16	5	16	3/3	178
DN225	240	264	290	M16	6	16	3/3	178
DN250	272	296	290	M16	6	16	3/3	178
DN300	330	354	330	M16	6	16	3/3	178
DN375	400	429	330	M16	8	16	2.5/2.5	218
DN450	488	512	330	M16	10	16	2/2	218
DN500	540	565	330	M16	12	16	2/2	218
DN600	656	680	330	M16	14	16	1.5/1.5	218



www.daemco.com.au  
1800 323 626  
enquiries@daemco.com.au

Scan QR Code for  
Installation Instructions





www.daemco.com.au



VALVES



COUPLINGS



ACCESSORIES



PE DI FITTINGS



COVERS



BANDS

65 Assembly Drive, Tullamarine VIC 3043  
1800 323 626 | [enquiries@daemco.com.au](mailto:enquiries@daemco.com.au)

Follow us on **LinkedIn**

©Copyright 2018. All Rights Reserved. Daemco Australia reserve the right to change designs and specifications without notice, warranties for suitability for use, liability or loss, damage or costs incurred relating to this information is excluded.