

# GFC SMALL SYPHON BOX



## Technical Detail

**Finish** Iron

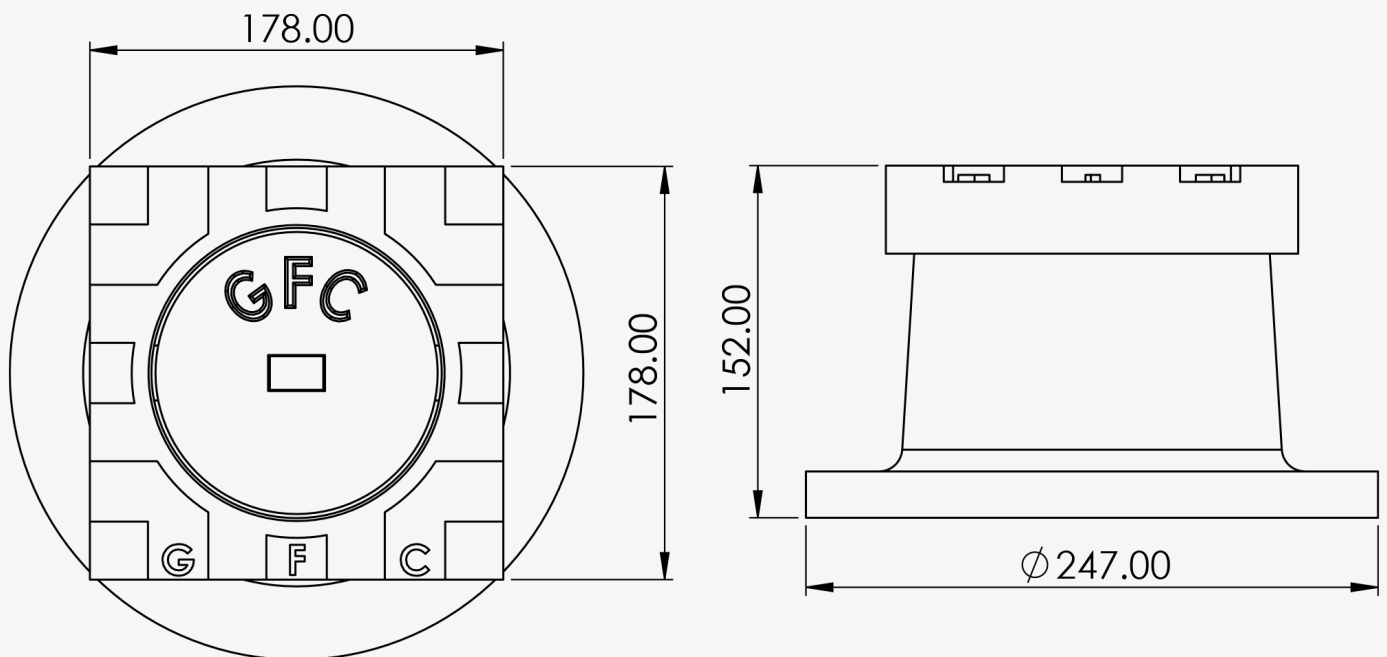
**Application** Suitable for installation in trafficable applications

**Lid Marking** GFC



## Compliance

- AS 3996 Access Covers and Grates
- Class D





www.daemco.com.au



VALVES



COUPLINGS



ACCESSORIES



PE DI FITTINGS



COVERS



BANDS

65 Assembly Drive, Tullamarine VIC 3043  
1800 323 626 | [enquiries@daemco.com.au](mailto:enquiries@daemco.com.au)

Follow us on [LinkedIn](#)

©Copyright 2018. All Rights Reserved. Daemco Australia reserve the right to change designs and specifications without notice, warranties for suitability for use, liability or loss, damage or costs incurred relating to this information is excluded.