



DUCTILE IRON FITTINGS



Personalised service, distribution across Australia, New Zealand and Asia Pacific regions with a comprehensive product range to match, you're in expert hands.



TABLE OF CONTENTS

Technical Specifications _____	1
Socket Bends _____	2
Flanged Bends _____	3
Washout Bends _____	4
Socket Flange Tees _____	5
Socket Tees _____	6
Spigot Flange Tees _____	7
Flanged Tees _____	8
Hydrant Risers _____	9
Connectors _____	11
Socket Flanged Thrust Connectors _____	12
Flanged Thrust Connectors _____	13
Flanged Tapers _____	14
Caps _____	15
Blank & Tapped Flanges _____	16



TECHNICAL SPECIFICATIONS

Ductile Iron Fittings

General Information

Daemco's range of ductile iron fittings are available in socket, spigot and flanged connections. Flanges are made in accordance with AS/NZS 4087 Fig B5 and socketed fittings are suitable for use with Ductile Iron, Cast Iron, AC, GRP, PVC-U, PVC-M and PVC-O pipes in both Series 1 and 2 dimensions. They are manufactured and tested in accordance with AS/NZS 2280 – ductile iron pipes and fittings, product certification ISO Type 5 and WaterMark.

Socketed Ductile Iron fittings are suitable for use with either Series 1 or Series 2 rubber ring gaskets.

Please note: Ductile Iron fittings with spigots are compatible with Ductile Iron pipes of the same nominal diameter only and must not be used with PVC or GRP pipe sockets.

Ductile Iron flanges are rated PN16 as per Fig B5, AS/NZS 4097.

Design Advantage

- Excellent corrosion resistance
- High strength
- Impact resistant
- Lightweight
- Deep sockets
- Suitable with Series 1 & Series 2 Pipe dimensions

Compliance

- AS/NZS 2280 (OMK30047 & WM-022892)
- AS4158
- AS/NZS 4020
- AS/NZS 4087
- WSAA PA 1805



Technical Detail

Range DN80 to DN375

Pressure PN16

Temperature 40°C

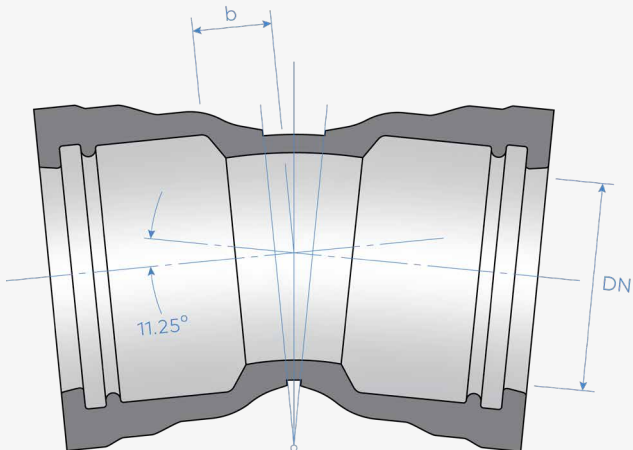
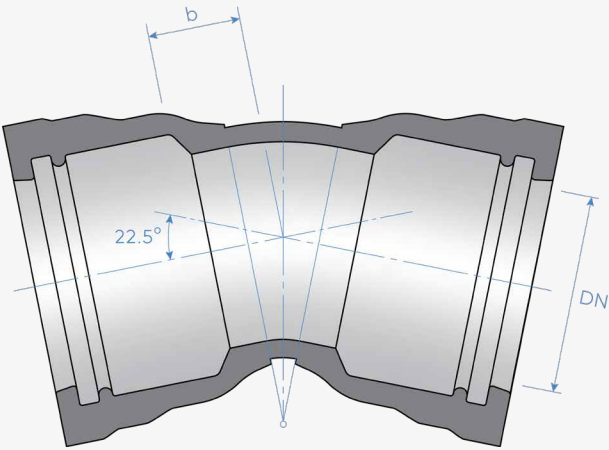
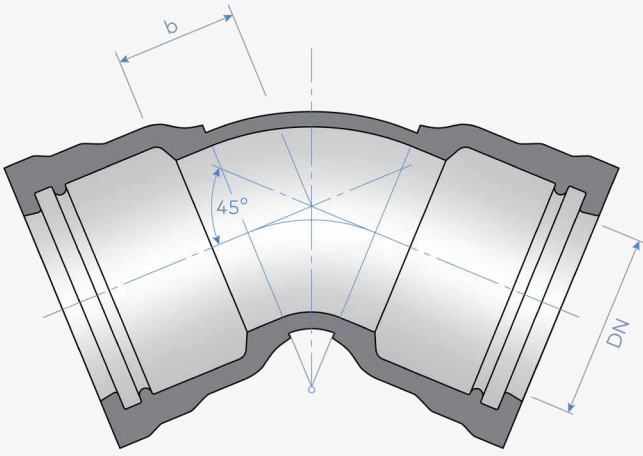
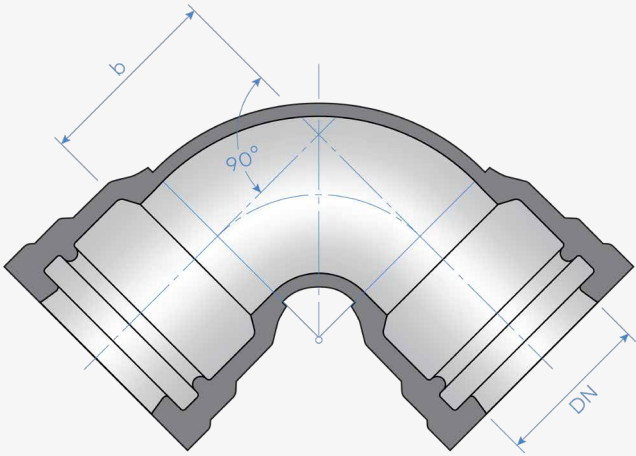
Gaskets Suitable for use with either Series 1 or Series 2 rubber ring gaskets

Applications Suitable for above and below ground installations in potable water, recycled water, waste water, fire or irrigation applications

Options A full range of flange gaskets, nuts, bolts and washers are available either individually or combined in pre-packaged kits

SOCKET BENDS

Ductile Iron Fittings



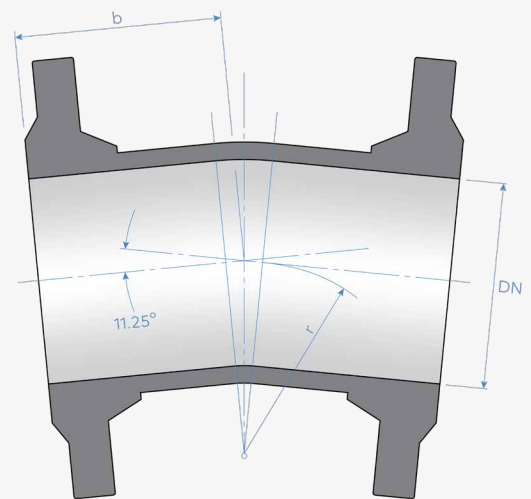
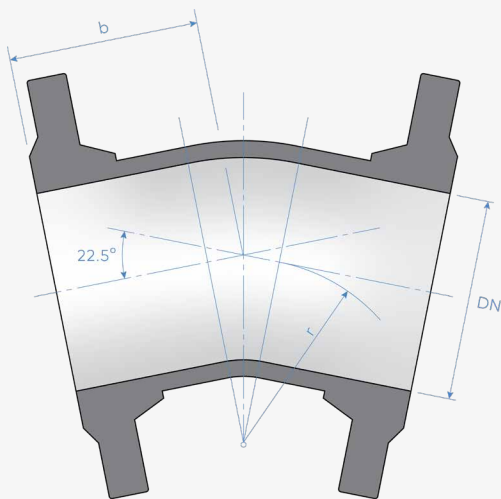
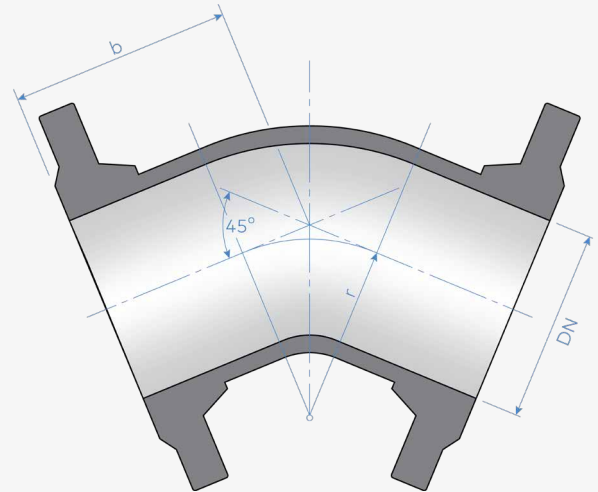
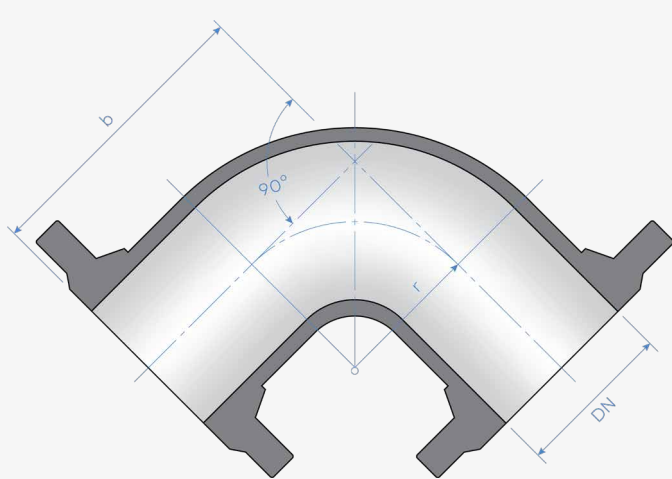
SYMBOL



DN	DIMENSIONS	
	θ	b
100	90	71
100	45	32
100	22.5	16
100	11.25	11
150	90	100
150	45	43
150	22.5	23
150	11.25	14

FLANGED BENDS

Ductile Iron Fittings



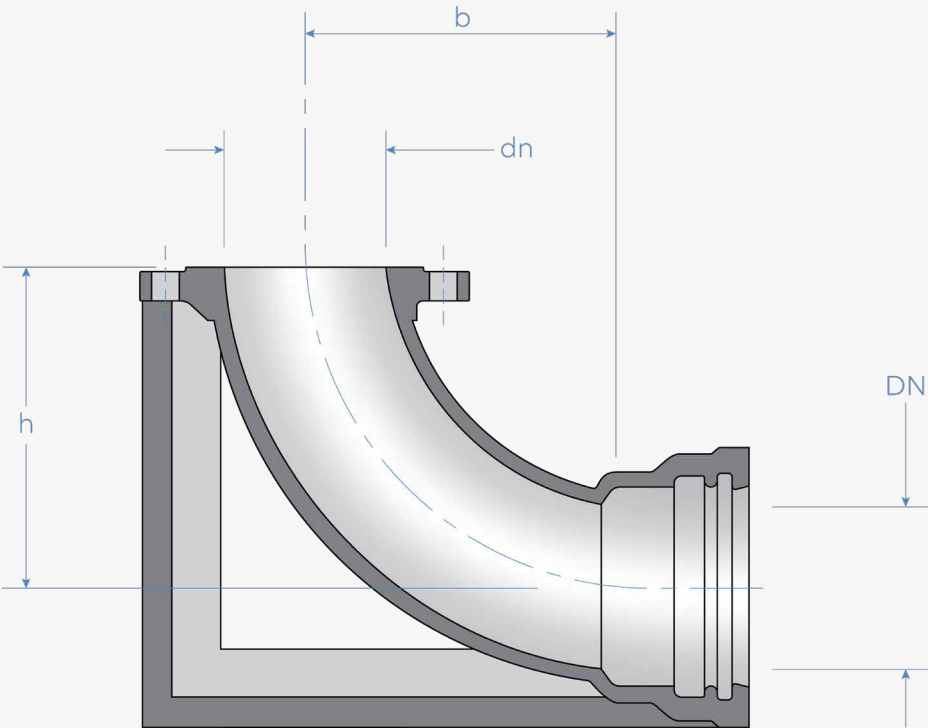
SYMBOL



DN	r	DIMENSIONS			
		b			
		90 °	45 °	22.5 °	11.25 °
100	152	241	152	152	152
150	190	279	190	190	190
200	203	305	203	-	-

WASHOUT BENDS

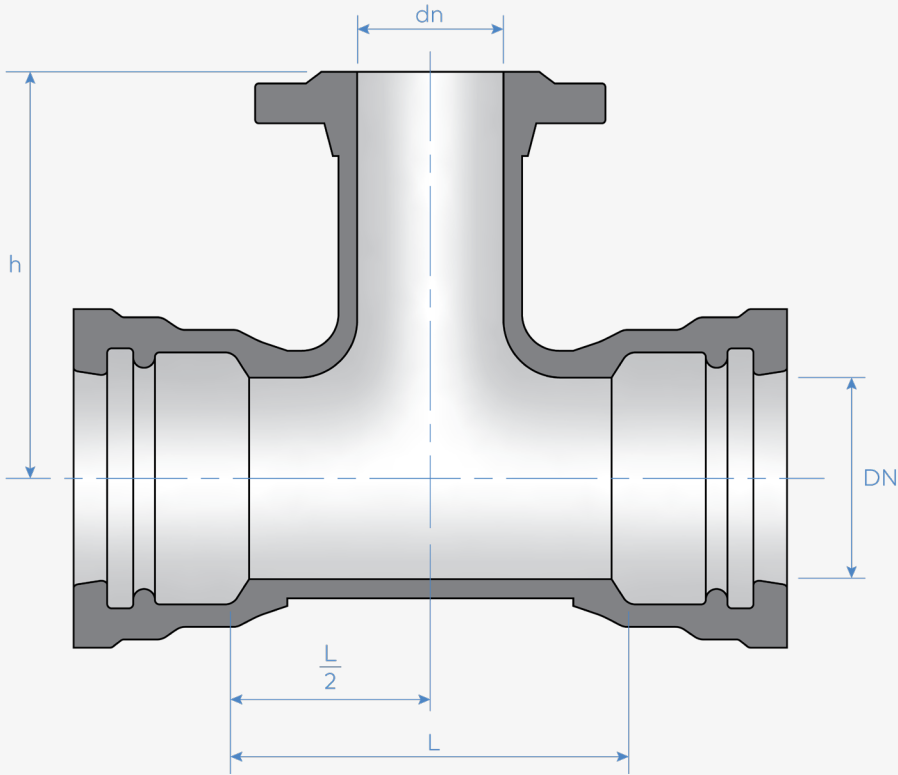
Ductile Iron Fittings



DN	DIMENSIONS		
	dn	b	h
100	80	165	195
100	100	165	195
150	80	205	225
150	100	205	225

SOCKET FLANGE TEES

Ductile Iron **Fittings**



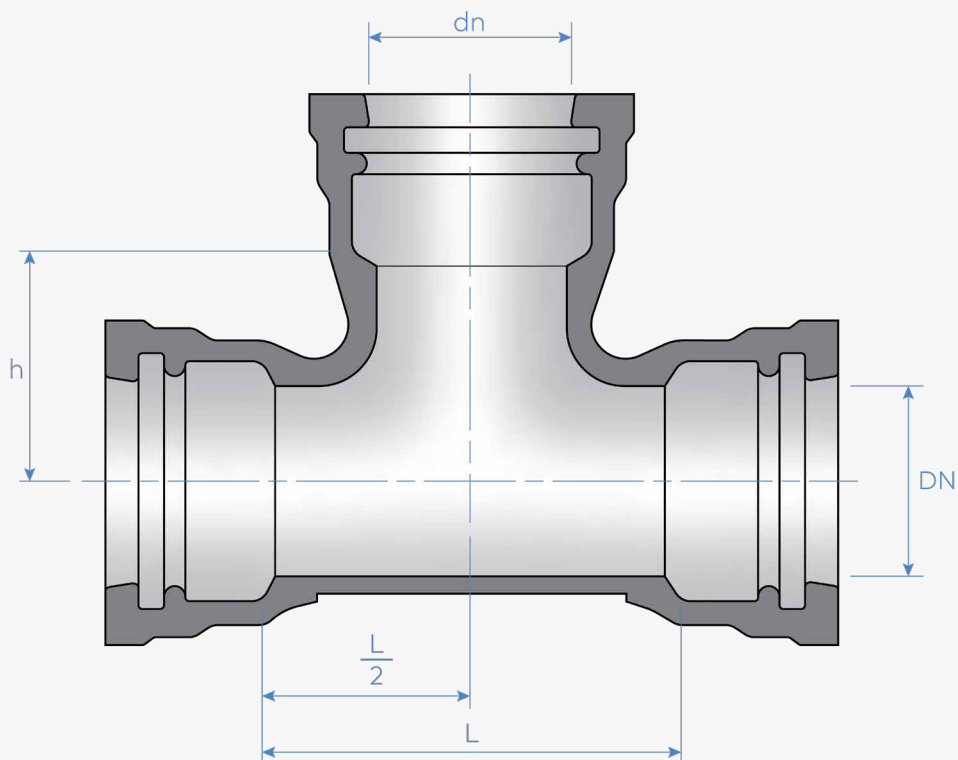
SYMBOL



BODY		BRANCH	DIMENSIONS	
DN		dn	h	L
100		80	155	98
100		100	165	120
150		80	185	98
150		100	190	121

SOCKET TEES

Ductile Iron Fittings



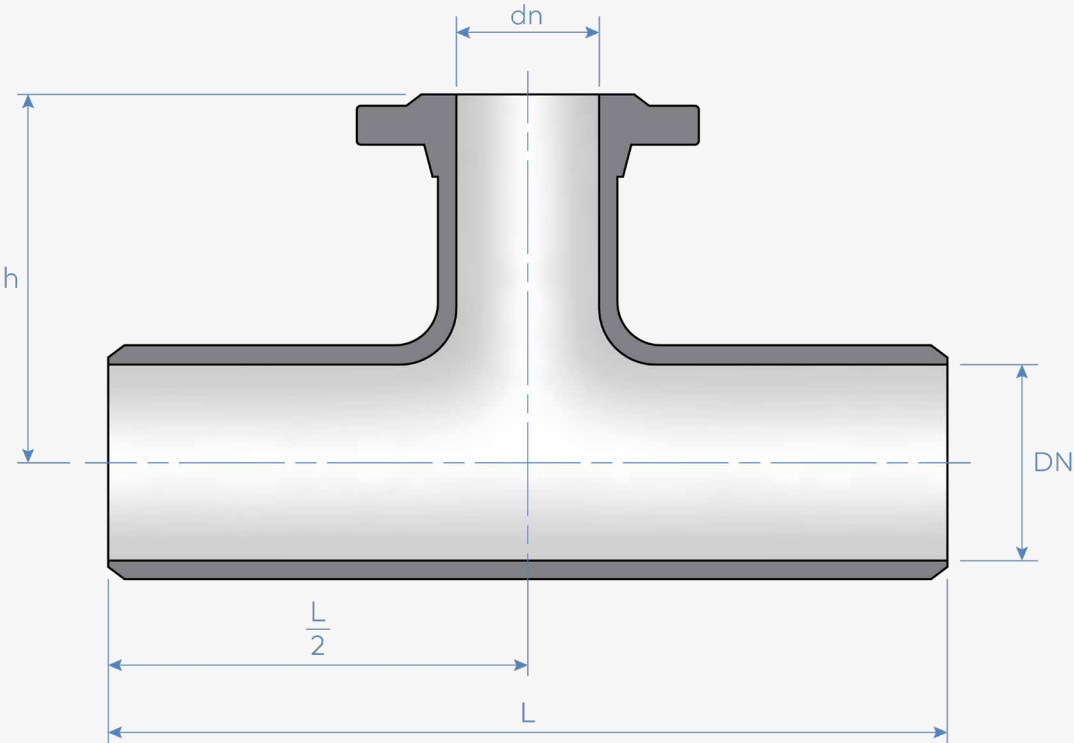
SYMBOL



BODY	BRANCH	DIMENSIONS	
DN	dn	h	L
100	100	75	120
150	100	103	121
150	150	103	174

SPIGOT FLANGE TEES

Ductile Iron **Fittings**



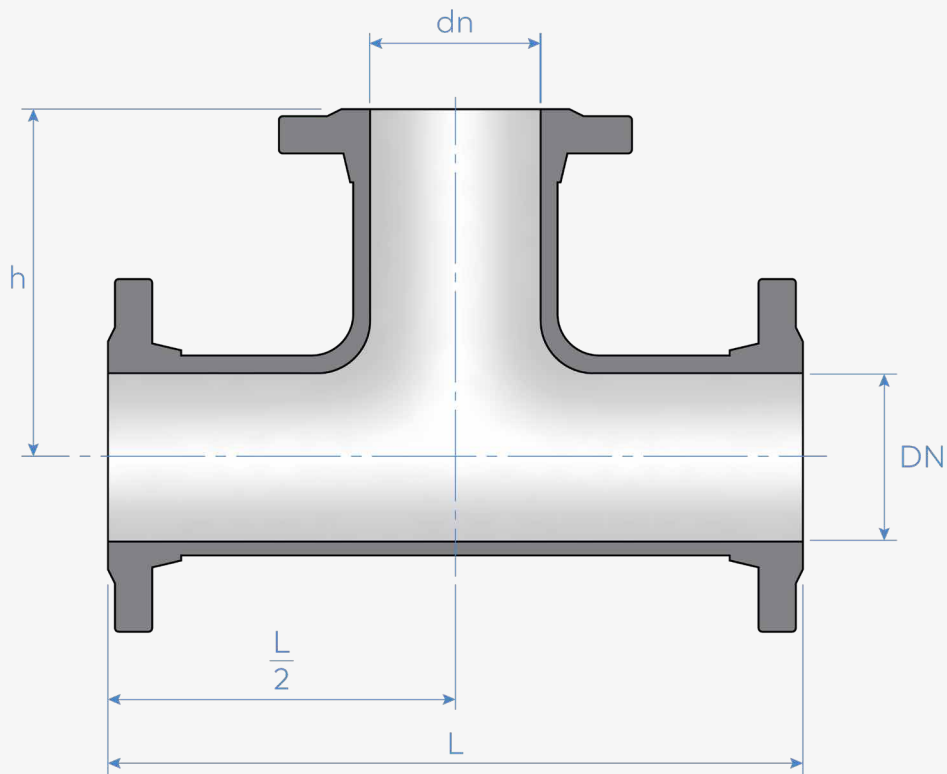
SYMBOL



BODY		BRANCH	DIMENSIONS	
DN		dn	h	L
100		80	178	432
150		80	203	432
200		80	241	457

FLANGED TEES

Ductile Iron Fittings



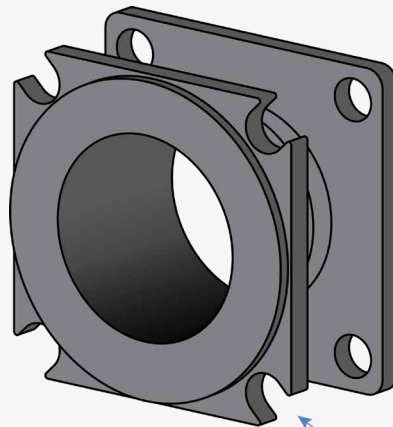
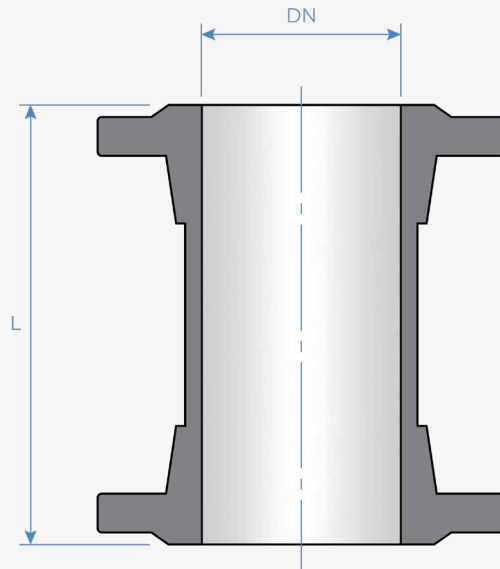
SYMBOL



BODY	BRANCH	DIMENSIONS	
DN	dn	h	L
100	80	178	356
100	100	178	356
150	80	178	406
150	100	203	406
150	150	203	406
200	80	241	484
200	100	241	484
200	150	241	484
200	200	241	484
250	100	267	534

HYDRANT RISERS

Ductile Iron Fittings



Flange holes slotted to outside edge on one end for hydrant risers 100mm long only

SYMBOL

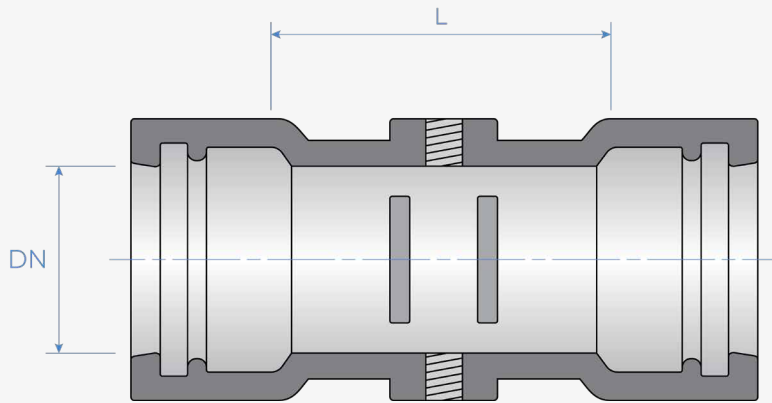


DN	L										
	100	150	225	300	375	450	525	600	750	1000	
80	-	✓	✓	✓	✓	✓	✓	✓	✓	-	✓
100	✓	✓	✓	✓	✓	✓	-	✓	✓	✓	✓
150	-	✓	-	✓	-	✓	-	✓	✓	✓	✓

CONNECTORS

Ductile Iron Fittings

PRE-TAPPED



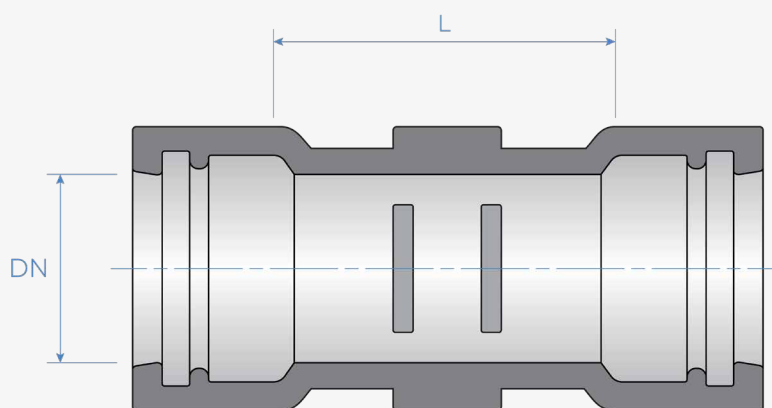
SYMBOL



DN	L	COLOUR	TAPPING	
			SIZE	NO. OF TAPPINGS
100	163	Blue/Lilac	20mm (3/4")*	2
100	163	Blue/Lilac	20mm (3/4")*	4
150	172	Blue/Lilac	20mm (3/4")*	2
150	172	Blue/Lilac	20mm (3/4")*	4

* Stocked as standard. Can be tapped 25/4 upon request.

SOCKET-SOCKET



SYMBOL

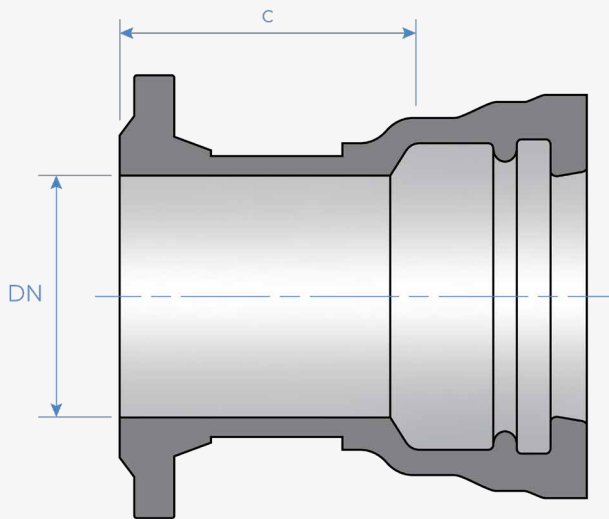


DN	COLOUR	DIMENSIONS
		L
100	Blue/Lilac	163
150	Blue/Lilac	172

CONNECTORS

Ductile Iron Fittings

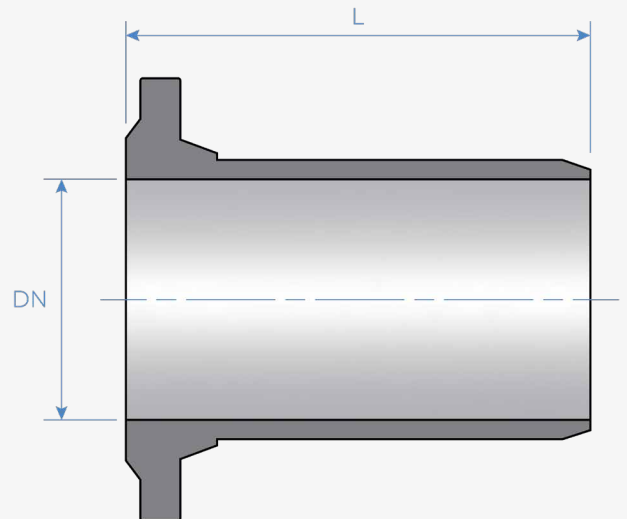
FLANGE-SOCKET



SYMBOL



FLANGE-SPIGOT



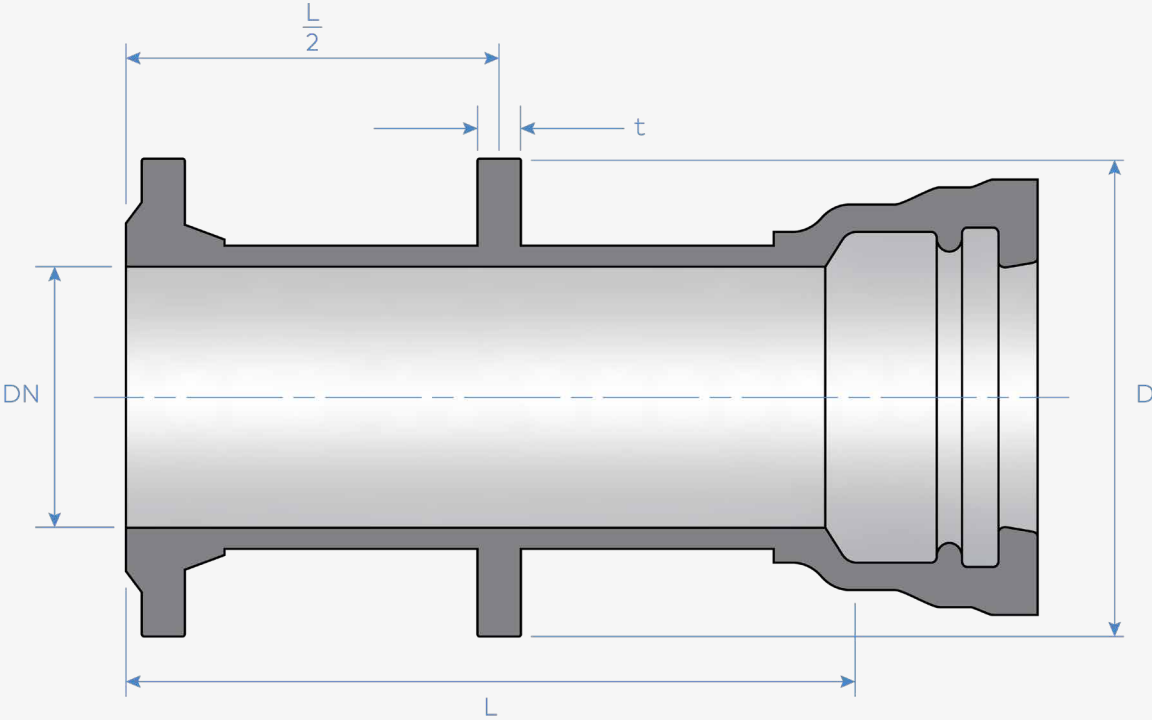
SYMBOL



DN	DIMENSIONS	
	c	L
50	-	159
80	-	156
100	57	165
150	62	181
200	63	181
225	33	190
250	71	196
300	86	204
375	89	234

SOCKET FLANGED THRUST CONNECTORS

Ductile Iron Fittings



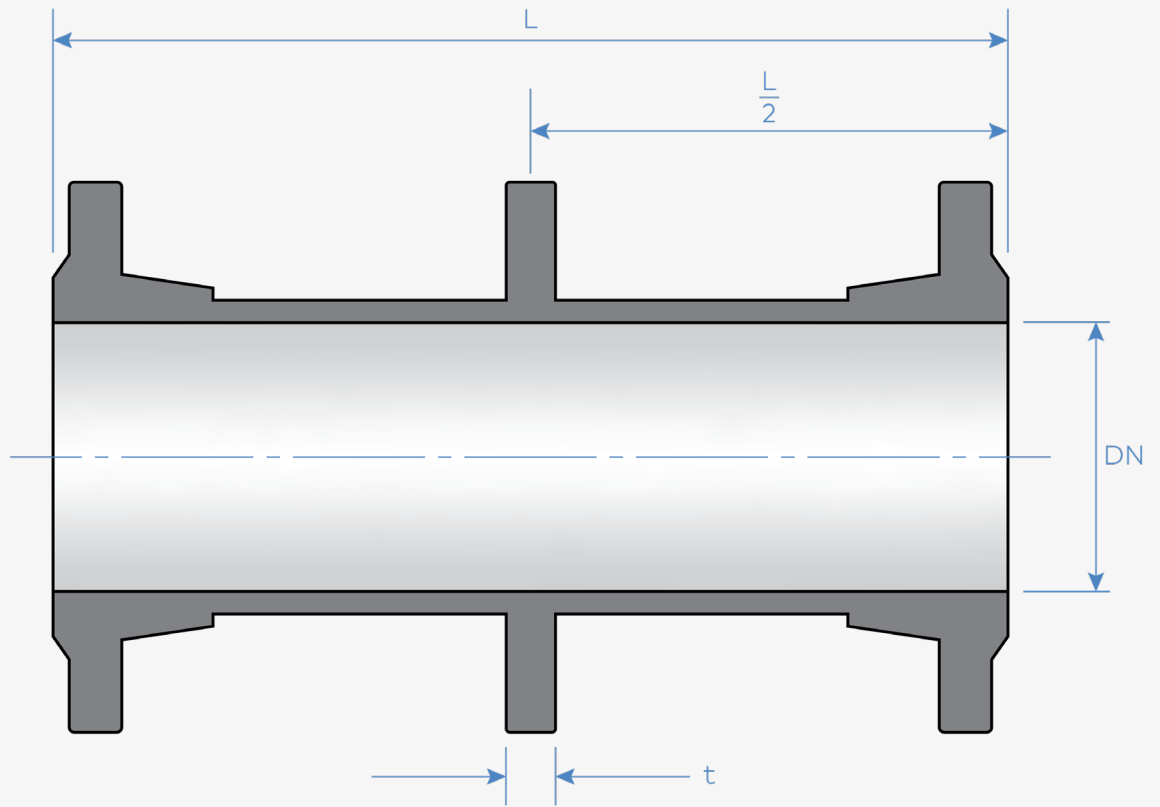
SYMBOL



DN	DIMENSIONS			
	L	L/2	t	D
100	600	300	17	164
100	750	375	17	164
150	600	300	20	265

FLANGED THRUST CONNECTORS

Ductile Iron **Fittings**



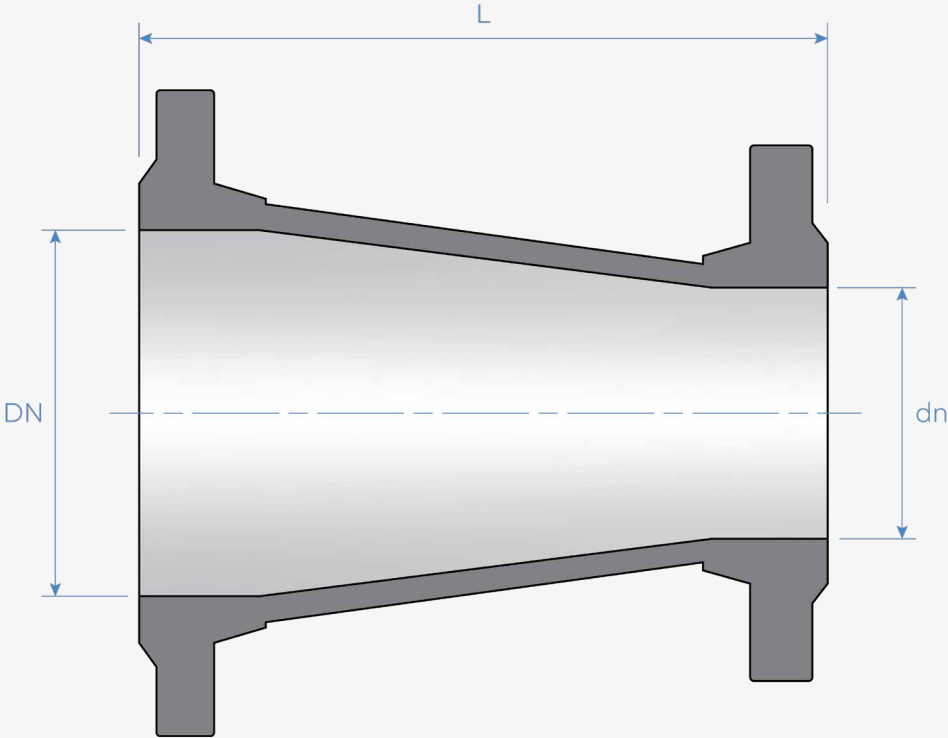
SYMBOL



DN	DIMENSIONS		
	L	$\frac{L}{2}$	t
100	600	300	17
100	750	375	17
150	600	300	20
150	750	375	20

FLANGED TAPERS

Ductile Iron Fittings



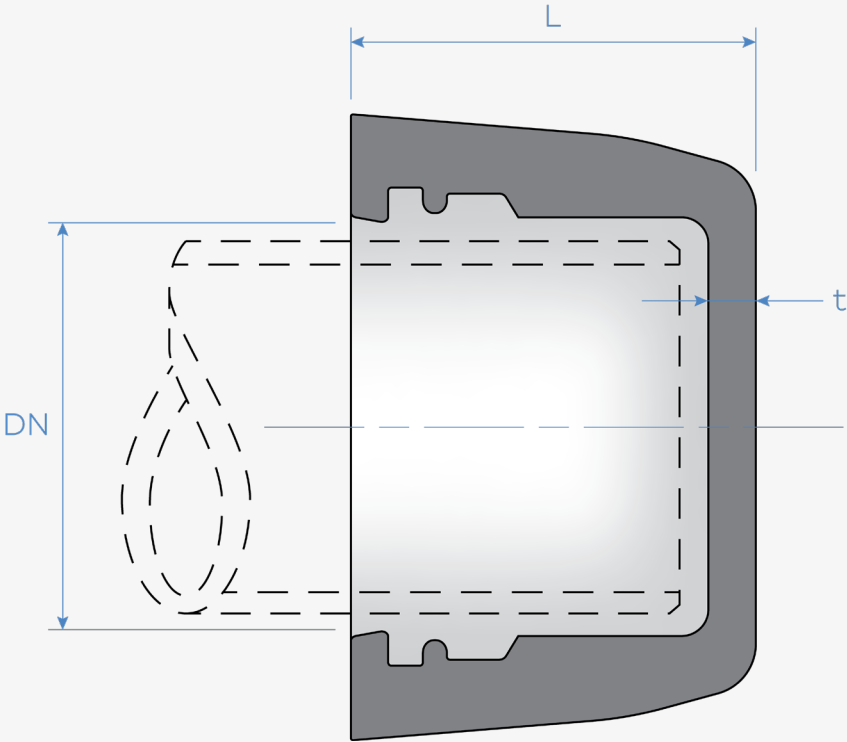
SYMBOL



DN	dn	DIMENSIONS
		L
100	80	165
150	100	235

CAPS

Ductile Iron Fittings



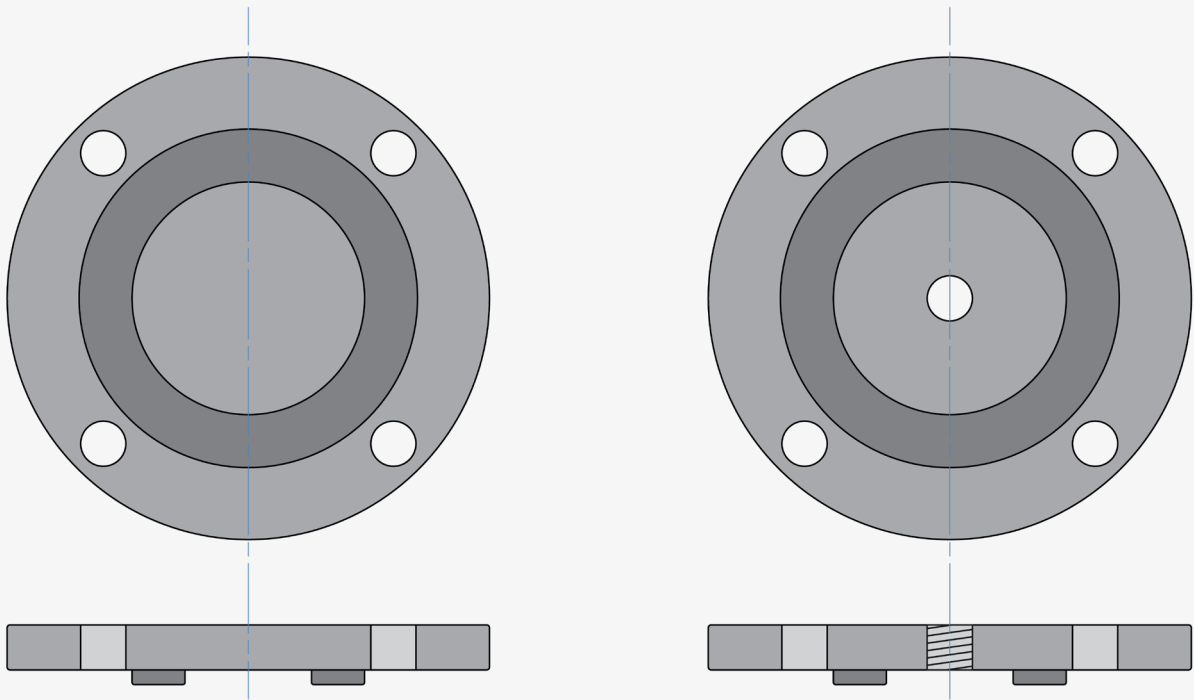
SYMBOL



DN	DIMENSIONS	
	L	t
100	119	18
150	129	18

BLANK & TAPPED FLANGES

Ductile Iron **Fittings**



DN	BLANK	TAPPED (mm)
80	✓	25, 50
100	✓	25, 50 & Off-Set 50
150	✓	25, 50
200	✓	50
225	✓	50
250	✓	50
300	✓	50
375	✓	50

* Larger size flanges, and other tapings, available upon request



www.daemco.com.au



VALVES



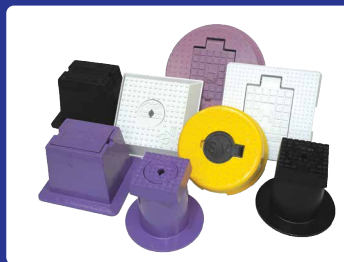
COUPLINGS



ACCESSORIES



PE DI FITTINGS



COVERS



BANDS

65 Assembly Drive, Tullamarine VIC 3043
1800 323 626 | enquiries@daemco.com.au

Follow us on [LinkedIn](#)

©Copyright 2018. All Rights Reserved. Daemco Australia reserve the right to change designs and specifications without notice, warranties for suitability for use, liability or loss, damage or costs incurred relating to this information is excluded.