



TRAFFICABLE AND NON-TRAFFICABLE **COVERS AND LIDS**



Personalised service, distribution across Australia, New Zealand and Asia Pacific regions with a comprehensive product range to match, you're in expert hands.



TABLE OF CONTENTS

Overview	1
Non-Trafficable SV Square Cover and Lid	2
Non-Trafficable SV Round Cover and Lid	3
Non-Trafficable Large SV Round Cover and Lid	4
Non-Trafficable Hydrant Round Cover and Lid	5
Non-Trafficable Hydrant Square Cover and Lid	6
QLD Non-Trafficable Valve & Hydrant Boxes	7
Trafficable Valve & Hydrant Cover and Lid	8
QLD Trafficable Valve & Hydrant Boxes	9
QLD Lids	9
L-Type Hydrant Cover	10
199 Covers	11
200 Covers	11

BESTPRACTICE
CERTIFICATION



ISO 9001
QUALITY
MANAGEMENT SYSTEM

VALVE AND HYDRANT COVERS FOR THE IDENTIFICATION OF POTABLE AND RECYCLED WATER PIPELINES, FOR TRAFFICABLE AND NON-TRAFFICABLE CONDITIONS.



Daemco has an extensive range of valve and hydrant covers and lids that are colour coded for easy identification for trafficable and non-trafficable installations. Our trafficable covers and lids are durable and are coated with black bitumen or UV resistant fusion bonded epoxy. Our non-trafficable covers and lids are lightweight, fire, UV and corrosion resistant, metal detectable, inert and offer design flexibility for unique custom designs.

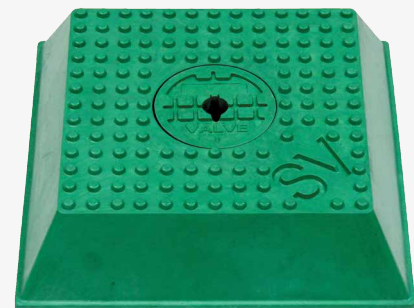
NON-TRAFFICABLE SV SQUARE COVER AND LID

Design Advantage

- Highly Durable
- Solid full pigment colour
- UV resistant
- Inert and fire resistant
- Class B
- Metal detectable

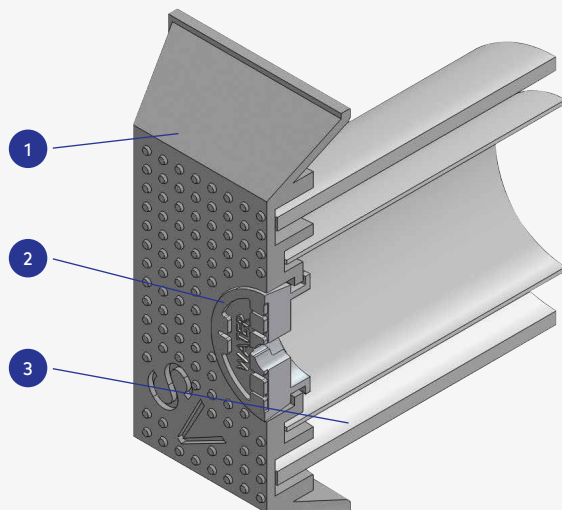
Technical Detail

Cover	SV, Sheet Mould Compound (SMC)
Lid	Sheet Mould Compound (SMC) * Black Bitumen Cast Iron lids upon request
Colours	White and Green † Other colours upon request
Installation	Suitable for use with DWV DN150 or DN225 Shroud Pipe
Identification	Colour
Application	Suitable for valve installations in non-trafficable applications
Lid Marking	Water Valve and Water



Compliance

- AS 3996 Access Covers and Grates
- Class B
- Standard Drawing MRWA-W-302



NO.	PART	MATERIAL
1	Metal Detectable Cover	SMC
2	Lid	SMC *
3	Shroud Pipe #	DWV PVC

Not included

NON-TRAFFICABLE SV ROUND COVER AND LID

Design Advantage

- Highly Durable
- Solid full pigment colour
- UV resistant
- Inert and fire resistant
- Class B
- Metal detectable

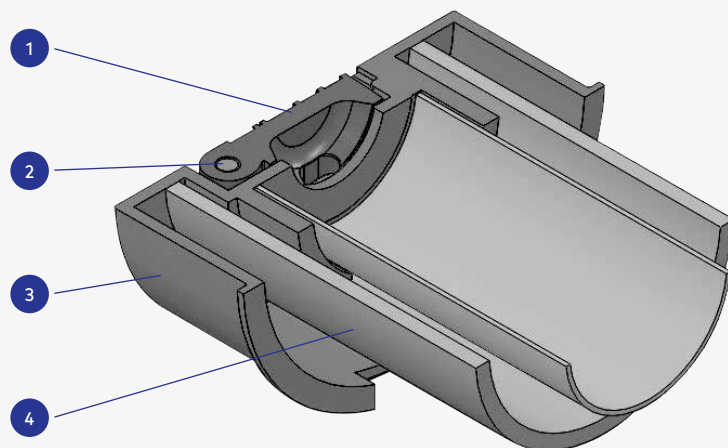
Technical Detail

Cover	Sheet Mould Compound (SMC)
Lid	Sheet Mould Compound (SMC) * Black Bitumen Cast Iron lids upon request
Colours	Purple, Yellow, Grey and Blue † Other colours upon request
Installation	Suitable for use with DWV DN150 or DN225 Shroud Pipe
Identification	Colour
Application	Suitable for valve installations in non-trafficable applications
Lid Marking	SV and SV NDW



Compliance

- AS 3996 Access Covers and Grates
- Class B
- Standard Drawing MRWA-W-302



NO.	PART	MATERIAL
1	Lid	SMC *
2	Hinge Pin	Stainless Steel 316
3	Metal Detectable Cover	SMC
4	Shroud Pipe #	DWV PVC

Not included

NON-TRAFFICABLE LARGE SV ROUND COVER AND LID

Design Advantage

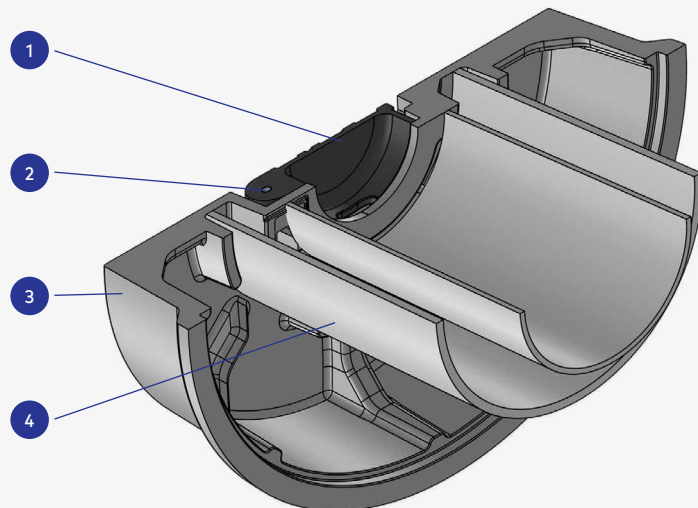
- Highly Durable
- Solid full pigment colour
- UV resistant
- Inert and fire resistant
- Class B

Technical Detail

Cover	Sheet Mould Compound (SMC)
Lid	Black Bitumen Cast Iron * Sheet Mould Compound (SMC) lids upon request
Colours	White, Grey and Yellow † Other colours upon request
Installation	Suitable for use with DWV DN150 or DN225 Shroud Pipe
Identification	Colour
Application	Suitable for valve installations in non-trafficable applications
Lid Marking	SV

Compliance

- AS 3996 Access Covers and Grates
- Class B
- Standard Drawing MRWA-W-302



NO.	PART	MATERIAL
1	Lid	Black Bitumen Cast Iron *
2	Hinge Pin	Stainless Steel 316
3	Cover	SMC
4	Shroud Pipe #	DWV PVC

Not included

NON-TRAFFICABLE ROUND HYDRANT COVER AND LID

Design Advantage

- Highly durable
- Solid full pigment colour
- UV resistant
- Inert and fire resistant
- Class B
- Metal detectable

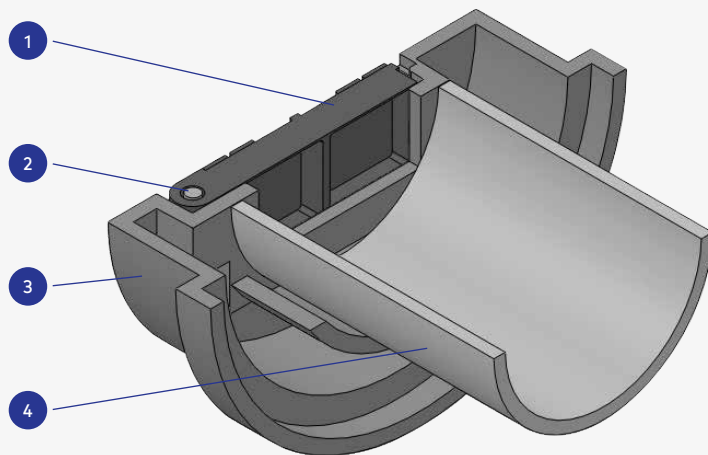


Technical Detail

Cover	Sheet Mould Compound (SMC)
Lid	Sheet Mould Compound (SMC) * Black Bitumen Cast Iron lids upon request
Colours	Grey, Purple and Yellow † Other colours upon request
Installation	Suitable for use with DWV DN225 Shroud Pipe
Identification	Colour
Application	Suitable for hydrant installations in non-trafficable applications
Lid Marking	H and H NDW

Compliance

- AS 3996 Access Covers and Grates
- Class B
- Standard Drawing MRWA-W-302



NO.	PART	MATERIAL
1	Lid	SMC *
2	Hinge Pin	Stainless Steel 316
3	Metal Detectable Cover	SMC
4	Shroud Pipe #	DWV PVC

Not included

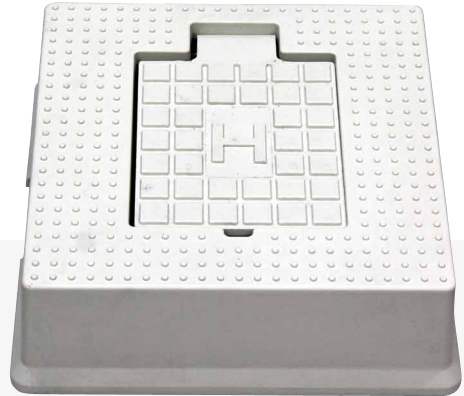
NON-TRAFFICABLE SQUARE HYDRANT COVER AND LID

Design Advantage

- Highly durable
- Solid full pigment colour
- UV resistant
- Inert and fire resistant
- Class B
- Metal detectable

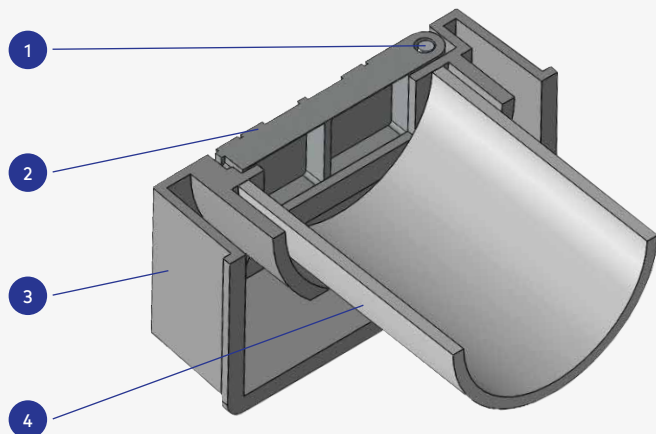
Technical Detail

Cover	Sheet Mould Compound (SMC)
Lid	Sheet Mould Compound (SMC) * Black Bitumen Cast Iron lids upon request
Colours	White, Yellow and Grey † Other colours upon request
Installation	Suitable for use with DWV DN225 Shroud Pipe
Identification	Colour
Application	Suitable for hydrant installations in non-trafficable applications
Lid Marking	H



Compliance

- AS 3996 Access Covers and Grates
- Class B
- Standard Drawing MRWA-W-302



NO.	PART	MATERIAL
1	Hinge Pin	Stainless Steel 316
2	Lid	SMC *
3	Metal Detectable Cover	SMC
4	Shroud Pipe #	DWV PVC

Not included

QLD NON-TRAFFICABLE VALVE & HYDRANT BOXES

Design Advantage

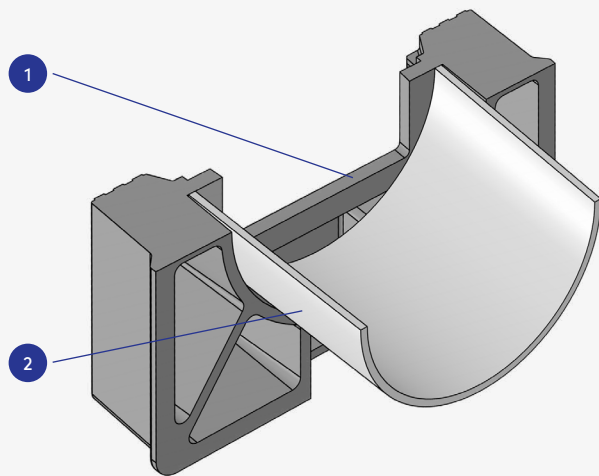
- Highly durable
- Solid full pigment colour
- UV resistant
- Inert and fire resistant
- Class B

Technical Detail

Box	Sheet Mould Compound (SMC)
Colours	White and Yellow * Other colours upon request
Installation	Suitable for use with DWV DN225 Shroud Pipe
Identification	Colour
Application	Suitable for valve and hydrant installations in non-trafficable applications

Compliance

- AS 3996 Access Covers and Grates
- Class B



NO.	PART	MATERIAL
1	Cover	SMC
2	Shroud Pipe #	DWV PVC

Not included

TRAFFICABLE VALVE COVER AND LID

Design Advantage

- Black bitumen coated
- Purple FBE coated UV resistant
- Design flexibility for different load ratings



Technical Detail

Colours	Black and Purple
Application	Suitable for valve installations in trafficable applications
Lid Marking	Water Valve, Valve, Sewer and Valve NDW

Compliance

- AS 3996 Access Covers and Grates
- Class D
- Standard Drawing MRWA-W-302



TRAFFICABLE HYDRANT COVER AND LID

Design Advantage

- Black bitumen coated
- Purple FBE coated UV resistant
- Design flexibility for different load ratings

Technical Detail

Colours	Black and Purple
Application	Suitable for hydrant installations in trafficable applications
Lid Marking	Water, FH, Hydrant and Water NDW

Compliance

- AS 3996 Access Covers and Grates
- Class D
- Standard Drawing MRWA-W-302



QLD TRAFFICABLE VALVE & HYDRANT BOXES

Design Advantage

- Black bitumen coated

Technical Detail

Colours Black

Application Suitable for valve and hydrant installations in trafficable applications

Compliance

- AS 3996 Access Covers and Grates
- Class D



QLD LIDS

Design Advantage

- Highly Durable

Technical Detail

Colours Black
* Other colours upon request

Application Suitable for use in trafficable and non-trafficable applications

Marking H, FH, V, SV and AV

Compliance

- AS 3996 Access Covers and Grates
- Class D



L-TYPE HYDRANT COVER

Design Advantage

- UV resistant colour top
- Latch pin locking system

Technical Detail

Cover	Hot Dipped Galvanised Steel
Top Colours	Red and Black (Other upon request)
Body	Standard, Drilled, Colour Bands
Installation	Concrete Surround with Latch Pin
Application	Suitable for above ground hydrant and air valve installations
Option	Latch pin



199 COVERS

Design Advantage

- Black bitumen coated

Technical Detail

Colours	Black
Application	Suitable for installation in trafficable applications
Lid Marking	199

Compliance

- AS 3996 Access Covers and Grates
- Class C



200 COVERS

Design Advantage

- Black bitumen coated

Technical Detail

Colours	Black
Application	Suitable for installation in trafficable applications
Lid Marking	200

Compliance

- AS 3996 Access Covers and Grates
- Class C





DAEMCO
daemco.com.au 03 9863 6838
2/7-9 Clarissa Street, Campbellfield, 3061

**PARTNERING WITH OUR
CUSTOMERS TO DELIVER
END TO END SOLUTIONS**



www.daemco.com.au



VALVES



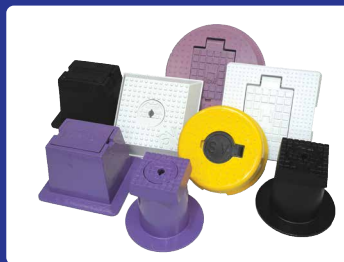
COUPLINGS



ACCESSORIES



PE DI FITTINGS



COVERS



BANDS

65 Assembly Drive, Tullamarine VIC 3043
1800 323 626 | enquiries@daemco.com.au

Follow us on **LinkedIn**

©Copyright 2018. All Rights Reserved. Daemco Australia reserve the right to change designs and specifications without notice, warranties for suitability for use, liability or loss, damage or costs incurred relating to this information is excluded.