

# HEAVY DUTY COVERS AND LIDS FOR ASPHALT INSTALLATIONS



## Design Advantage

- Black bitumen coated
- Lockable Lid
- Lifting Lugs for ease of handling

## Technical Detail

**Application** Suitable for installation in trafficable applications

**Finish** Black Bitumen Coated

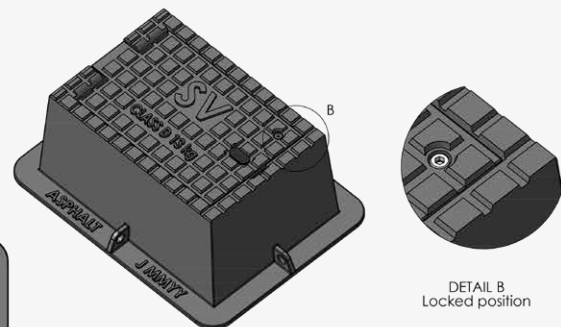
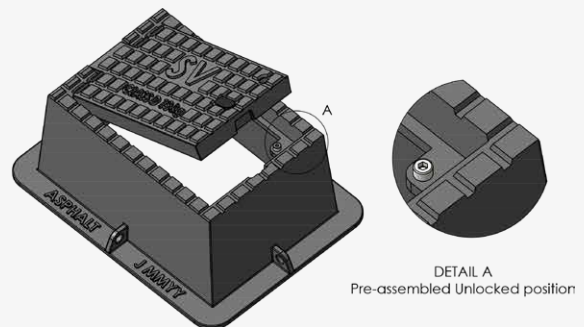
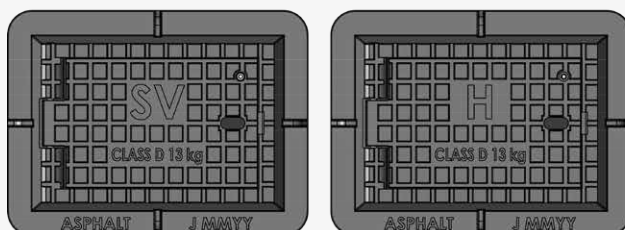
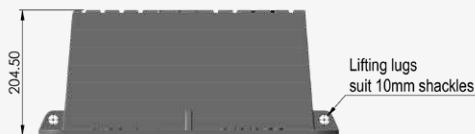
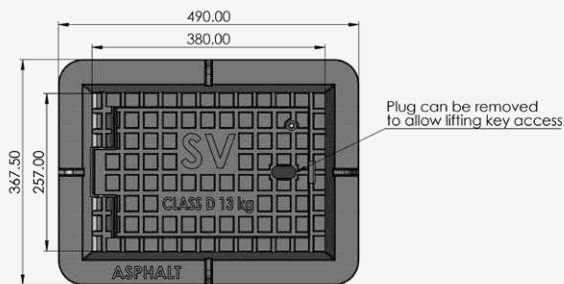
**Material** Ductile Iron  
S/S Locking Bolt



**Lid Marking** SV and H

## Compliance

- Product Certification AS3996 Lic 40703
- Class D



www.daemco.com.au  
1800 323 626  
enquiries@daemco.com.au



Follow us on  
**LinkedIn**



www.daemco.com.au



VALVES



COUPLINGS



ACCESSORIES



PE DI FITTINGS



COVERS



BANDS

65 Assembly Drive, Tullamarine VIC 3043  
1800 323 626 | [enquiries@daemco.com.au](mailto:enquiries@daemco.com.au)

Follow us on **LinkedIn**

©Copyright 2018. All Rights Reserved. Daemco Australia reserve the right to change designs and specifications without notice, warranties for suitability for use, liability or loss, damage or costs incurred relating to this information is excluded.